

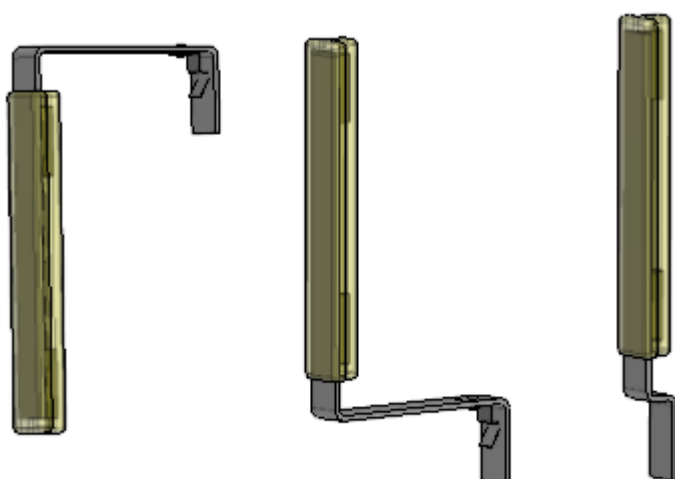
Magnetic markers

The cleaning process requires magnetic position markers. These position markers (which can be S or U shaped) are placed in a brackets, mounted on the house equipment before the cleaning process takes place. The robot reaches the markers during the cleaning process and position information is transferred to the computer. Different shapes of the markers are necessary depending on the width of the aisle (see table below).

More information on [how to use the markers can be found via this link](#).

Types

MAGNETIC MARKER TYPES	PART NO	DxWxH [mm]	Optimal usage	DESCRIPTION
EVO marker S form short	32026	25×25×250		Installed standing in bracket where aisle width is limited.
EVO marker S form	32030	130×25×250		Installed standing in bracket.
EVO marker U form	32040	130×25×210		Installed hanging in bracket.
FITTINGS				
Marker bracket	30000	1.5×58×58		Mounted permanently with screws or clamps in the aisle.
Tube clamp 35mm	30010	Ø35		For simple mounting of the marker brackets if there are usable pipes in the interior.
Tube clamp 45mm	30020	Ø45		For simple mounting of the marker brackets if there are usable pipes in the interior.



EVO marker U form, S form and S form short

From:
<https://wiki.envirologic.se/> - **Envirologic Support Wiki**

Permanent link:
https://wiki.envirologic.se/doku.php/parts:magnetic_markers?rev=1641370125

Last update: **2022/01/05 00:08**

