

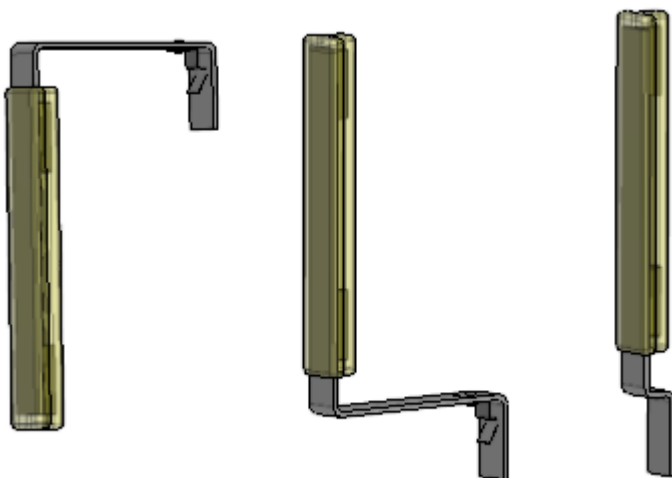
Magnetic markers

The cleaning process requires magnetic position markers. These position markers (which can be S or U shaped) are placed in a brackets, mounted on the house equipment before the cleaning process takes place. The robot reaches the markers during the cleaning process and position information is transferred to the computer. Different shapes of the markers are necessary depending on the width of the aisle and height of the walls in the aisle (see table below).

More information on [how to use the markers can be found via this link](#).

Types

MAGNETIC MARKERS	PART NO	DxWxH [mm]	AISLE WIDTH	AISLE WALL HEIGHT	DESCRIPTION
EVO marker S form short	32026	25×25×250	80 cm or narrower	74 cm or lower	Installed standing in bracket where aisle width is limited.
EVO marker S form	32030	130×25×250	81 cm or wider	74 cm or lower	Installed standing in bracket.
EVO marker U form	32040	130×25×210	81 cm or wider	75 cm or higher	Installed hanging in bracket.
FITTINGS	PART NO	DxWxH [mm]	DESCRIPTION		
Marker bracket	30000	1.5×58×58	Mounted permanently with screws or clamps in the aisle.		
Tube clamp 35 mm	30010	Ø35	For simple mounting of the marker brackets if there are usable pipes in the interior.		
Tube clamp 45 mm	30020	Ø45	For simple mounting of the marker brackets if there are usable pipes in the interior.		

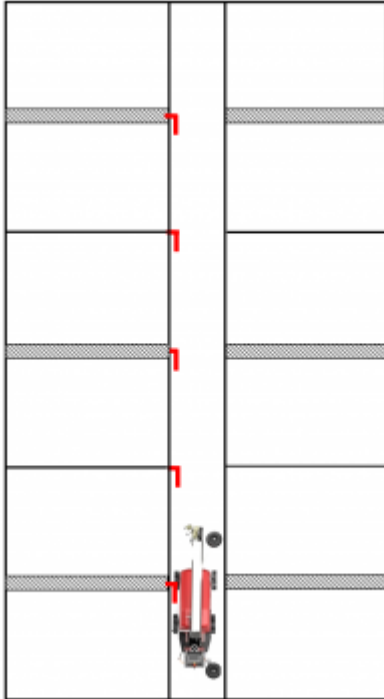


EVO marker U form, S form and S form short.

Marker placement examples

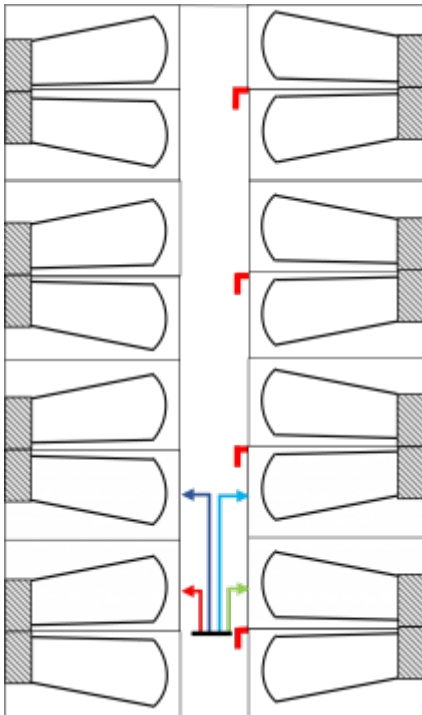
Finishers/Weaning

Place a marker at every dividing wall. The pen (both right and left side) after the marker are associated with the marker, generally speaking.



Farrowing

Place one marker at every second dividing wall (if you have mirror flipped pens like the example below). The two pens (on right and left side) after the marker are associated with the marker, generally speaking.



From:
<https://wiki.envirologic.se/> - **Envirologic Support Wiki**

Permanent link:
https://wiki.envirologic.se/doku.php/parts:magnetic_markers?rev=1641721931

Last update: **2022/01/09 01:52**

