

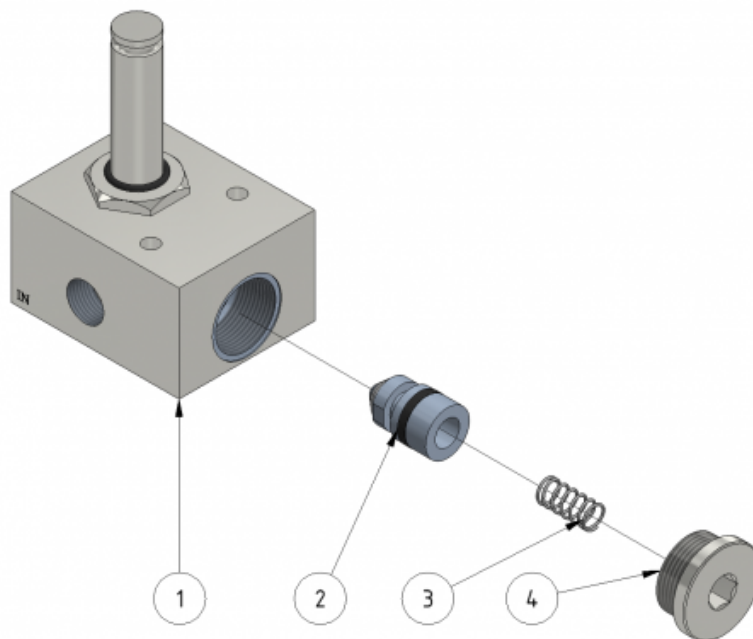
Water valve

Part number: 1101100F

Part of [EVO Cleaner assembly 2 - 1109502](#)

The water valve can get blocked/clogged with particles if the incoming water is dirty. Always use a [water filter](#) on the incoming water by the [high-pressure washer](#).

Link: [How to clean the water valve](#).



ITEM	DESCRIPTION	PART NUMBER	QTY
1	Water valve house		1
2	Plunge		1
3	Spring		1
4	Plug		1

From:
<https://wiki.envirologic.se/> - **Envirologic Support Wiki**

Permanent link:
<https://wiki.envirologic.se/doku.php/service:spl:1101100-m>

Last update: **2024/09/15 23:25**

