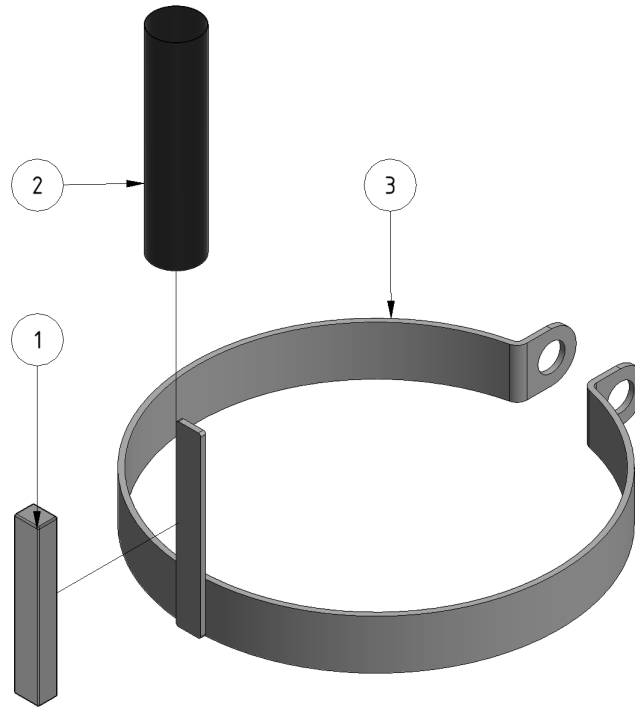


Magnet clamp

Part number: 1101116M

Part of [EVO Cleaner assembly 2 - 1109502](#)



ITEM	DESCRIPTION	PART NUMBER	QTY
1	Magnet	904011	1
2	Shrink tube 9 mm	45518	1
3	Joint magnet tower	1101116	1

From:

<https://wiki.envirologic.se/> - **Envirologic Support Wiki**

Permanent link:

<https://wiki.envirologic.se/doku.php/service:spl:1101116m-2?rev=1601281175>

Last update: **2020/09/28 01:19**

