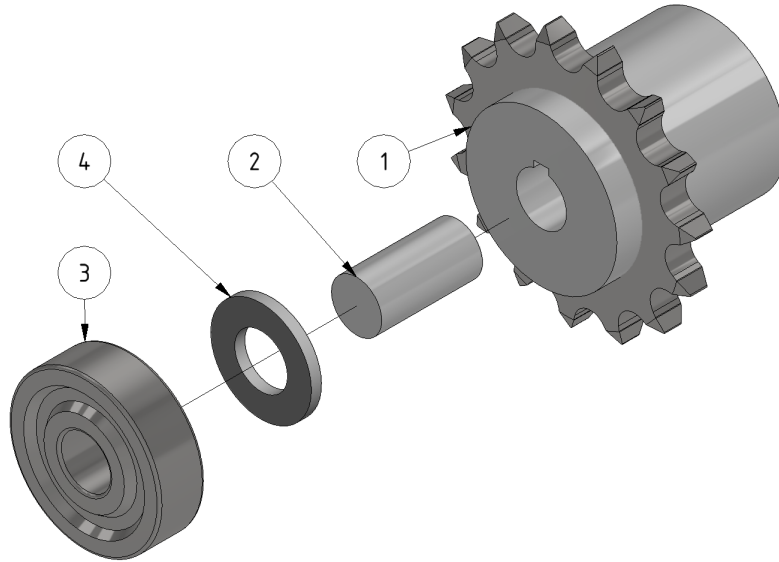


# Drive axle

Part of [Hose reel drive unit](#)



ITEM	DESCRIPTION	PART NUMBER	QTY
1	Hub	701061	1
2	Pin	701062	1
3	Bearing 6200 stainless	931004	1
4	Washer M10	941022	1

From:

<https://wiki.envirologic.se/> - **Envirologic Support Wiki**

Permanent link:

<https://wiki.envirologic.se/doku.php/service:spl:1101124-1?rev=1601222942>

Last update: **2020/09/27 09:09**

