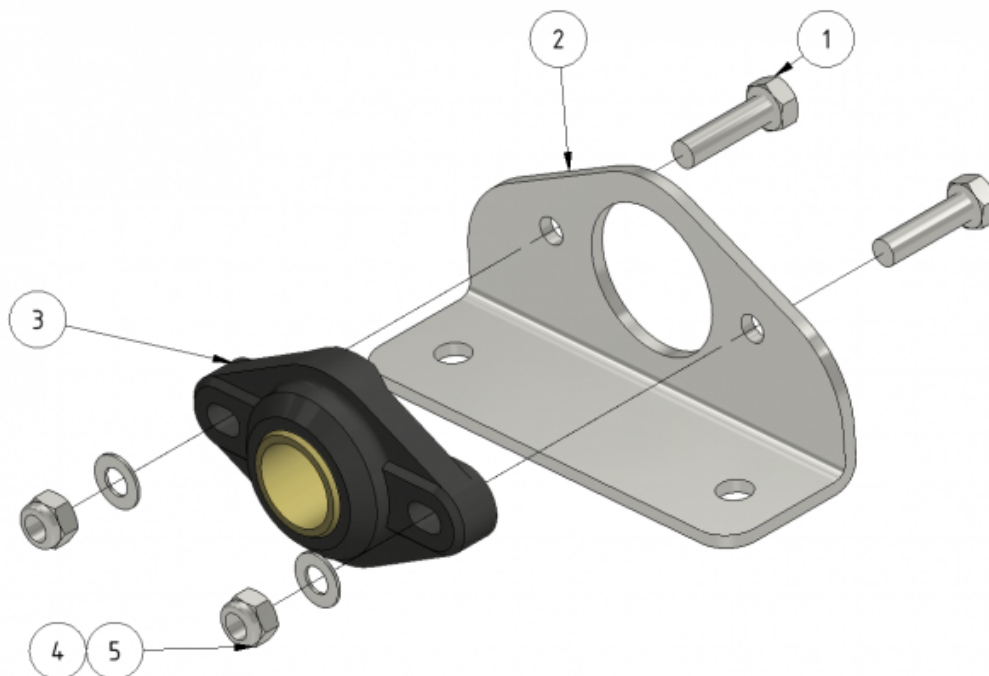


Wheel bearing assembly

Part number: 1101199

Part of [Front wheel axle](#) and [Drive axle assembly](#)



ITEM	DESCRIPTION	PART NUMBER	QTY
1	Screw M8 x 35	941021	2
2	Bearing holder	401093	1
3	Bearing EFOM 25	901037	1
4	Washer M8	941016	2
5	Nut M8 Nyloc	941020	2

From: <https://wiki.envirologic.se/> - **Envirologic Support Wiki**

Permanent link: <https://wiki.envirologic.se/doku.php/service:spl:1101199-1?rev=1699212569>

Last update: **2023/11/05 11:29**

