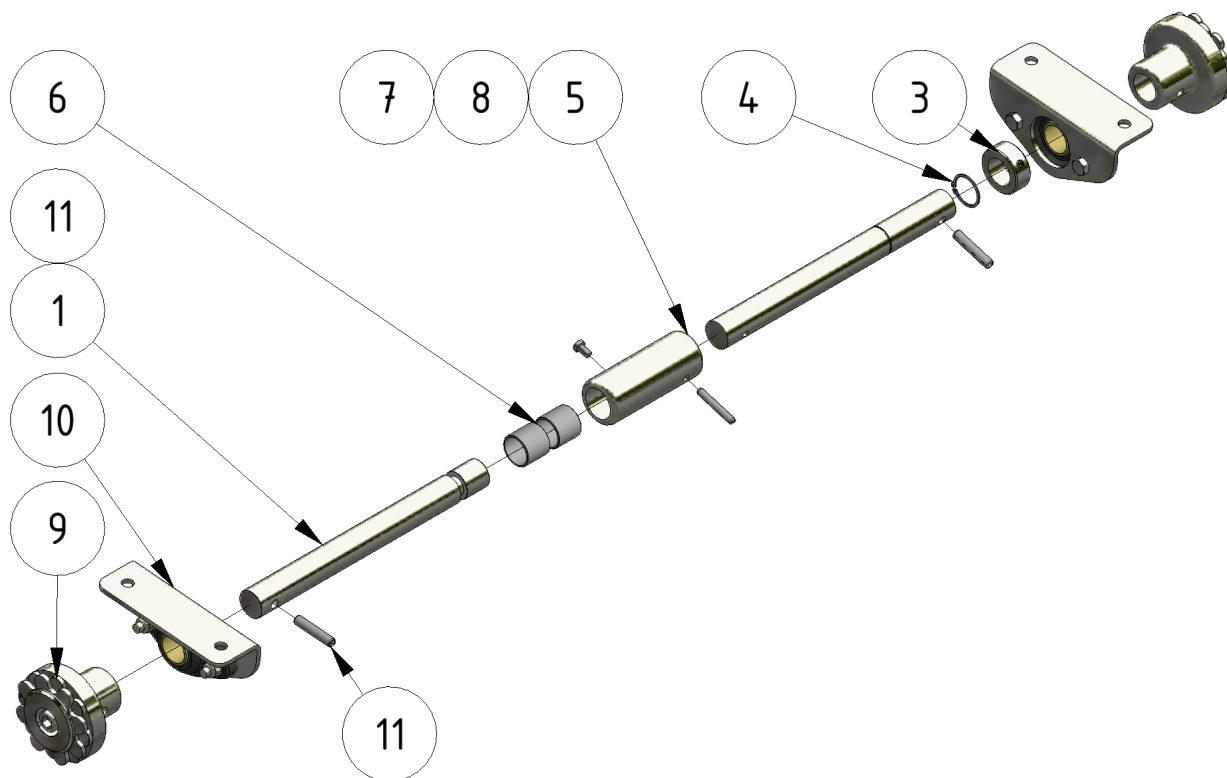




# Front wheel axle

Part of [EVO Cleaner assembly 1 - 1109501](#)



ITEM	DESCRIPTION	PART NUMBER	QTY
1	Wheel axle right	707033	1
3	Stop ring 25 mm	931002	1
4	Lock ring	941079	1
5	Connector	707035	1
6	Bearing	1401025	2
7	Pin 6 x 40	941072	1
8	Screw M6 x 10	941007	1
9	Wheel hub	 1107040	2
10	Wheel bearing assembly	 1101199	2
11	Pin 8 x 40	941063	2

From:

<https://wiki.envirologic.se/> - **Envirologic Support Wiki**

Permanent link:

<https://wiki.envirologic.se/doku.php/service:spl:1107041-1?rev=1601209203>

Last update: **2020/09/27 05:20**

