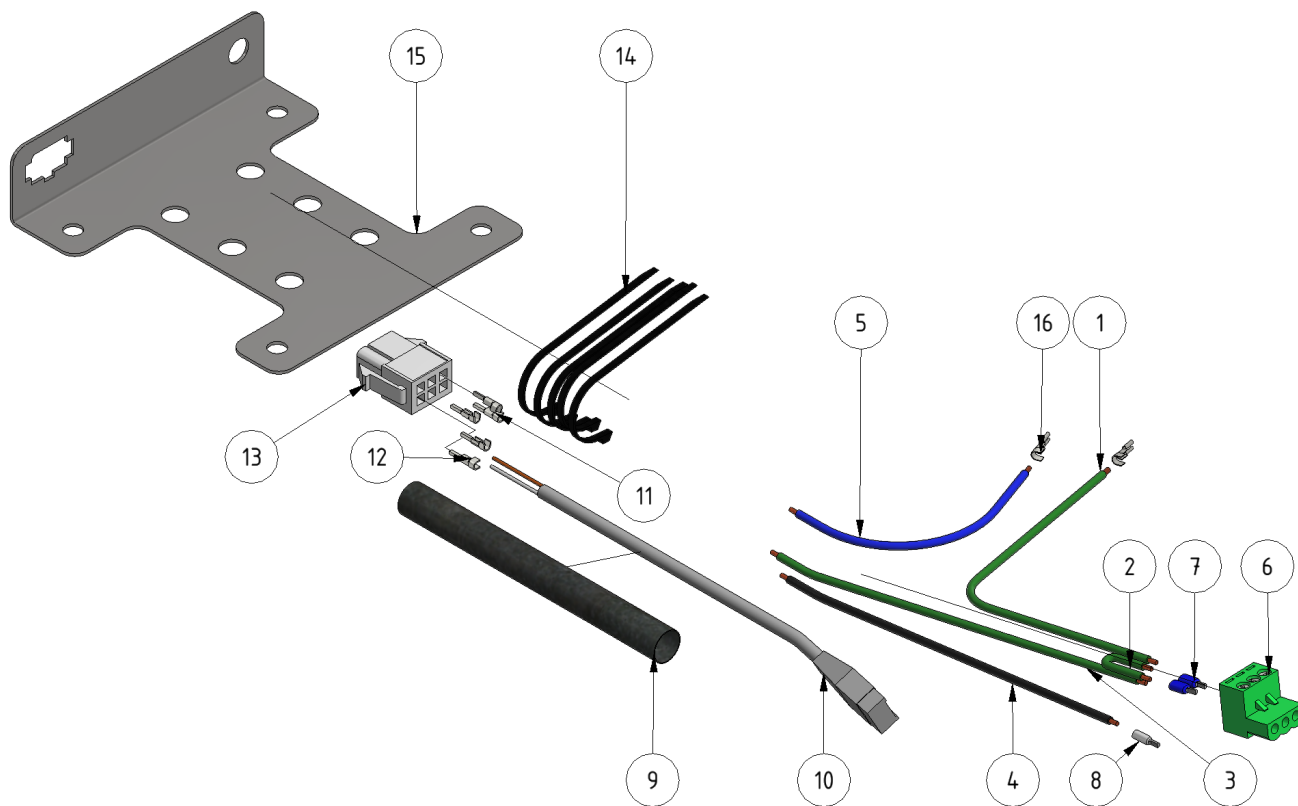


# OP cable

Part of [Panel assembly](#)



ITEM	DESCRIPTION	PART NUMBER	QTY
1	Cable 0.5 Green/Yellow	45522	1
2	Cable 0.5 Green/Yellow	45522	1
3	Cable 0.5 Green/Yellow	45522	1
4	Cable 0.5 Black	45521	1
5	Cable 0.5 Blue	45524	1
6	Connector	989236	1
7	End sleeve	987073	2
8	End sleeve	981042	1
9	Cable protector	45527	1
10	Network cable	989228K1	1
11	Crimp male 16 AWG	989239	3
12	Crimp male 28-22 AWG	989240	2
13	Molex 6-pole	989234	1
14	Cable tie 300 x 4.8	51525	5
15	Joint	109220	1
16	Crimp female 16 AWG	989239	2

From:

<https://wiki.envirologic.se/> - **Envirologic Support Wiki**

Permanent link:

<https://wiki.envirologic.se/doku.php/service:spl:1109102-1?rev=1601213507>

Last update: **2020/09/27 06:31**

