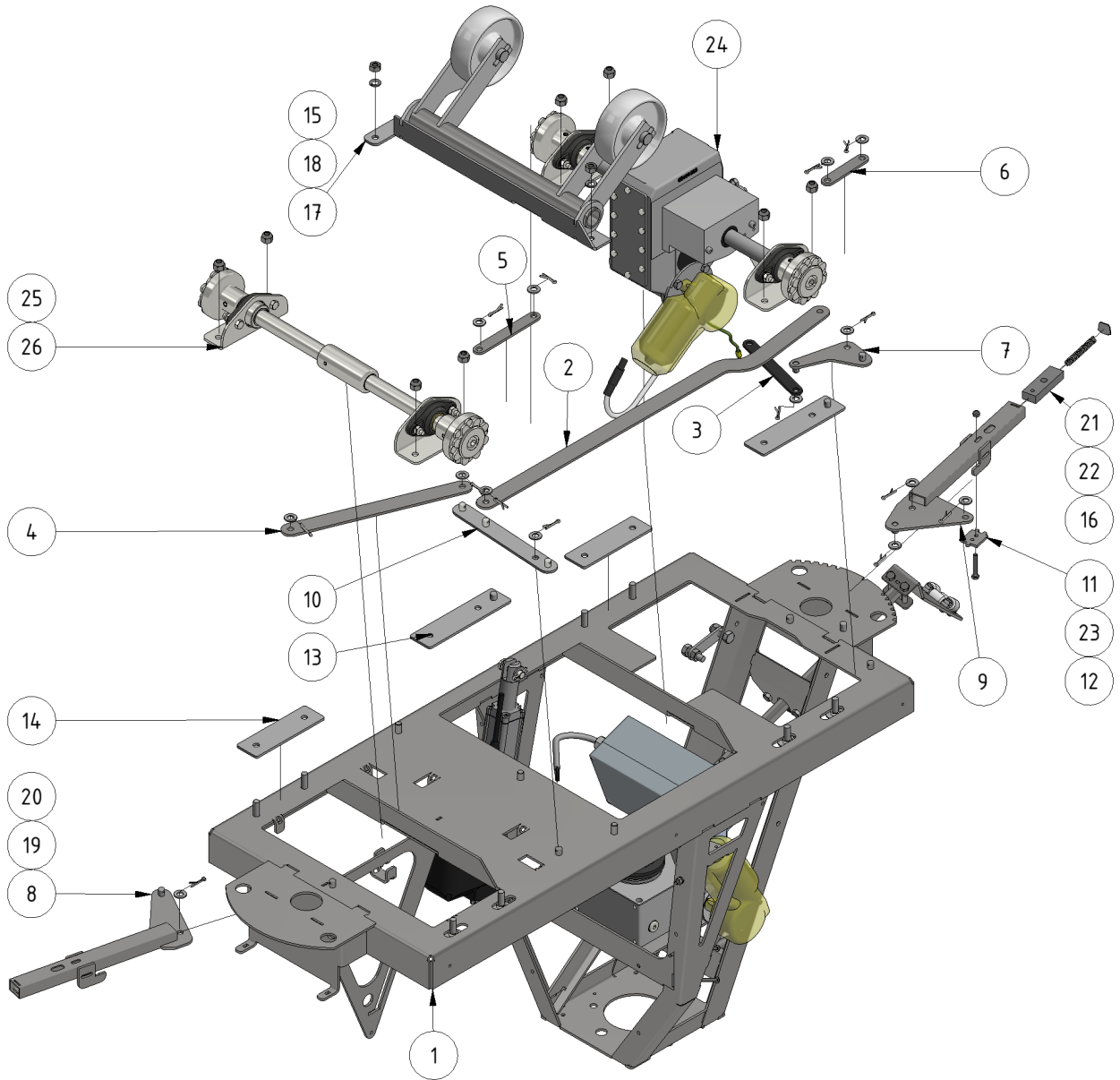
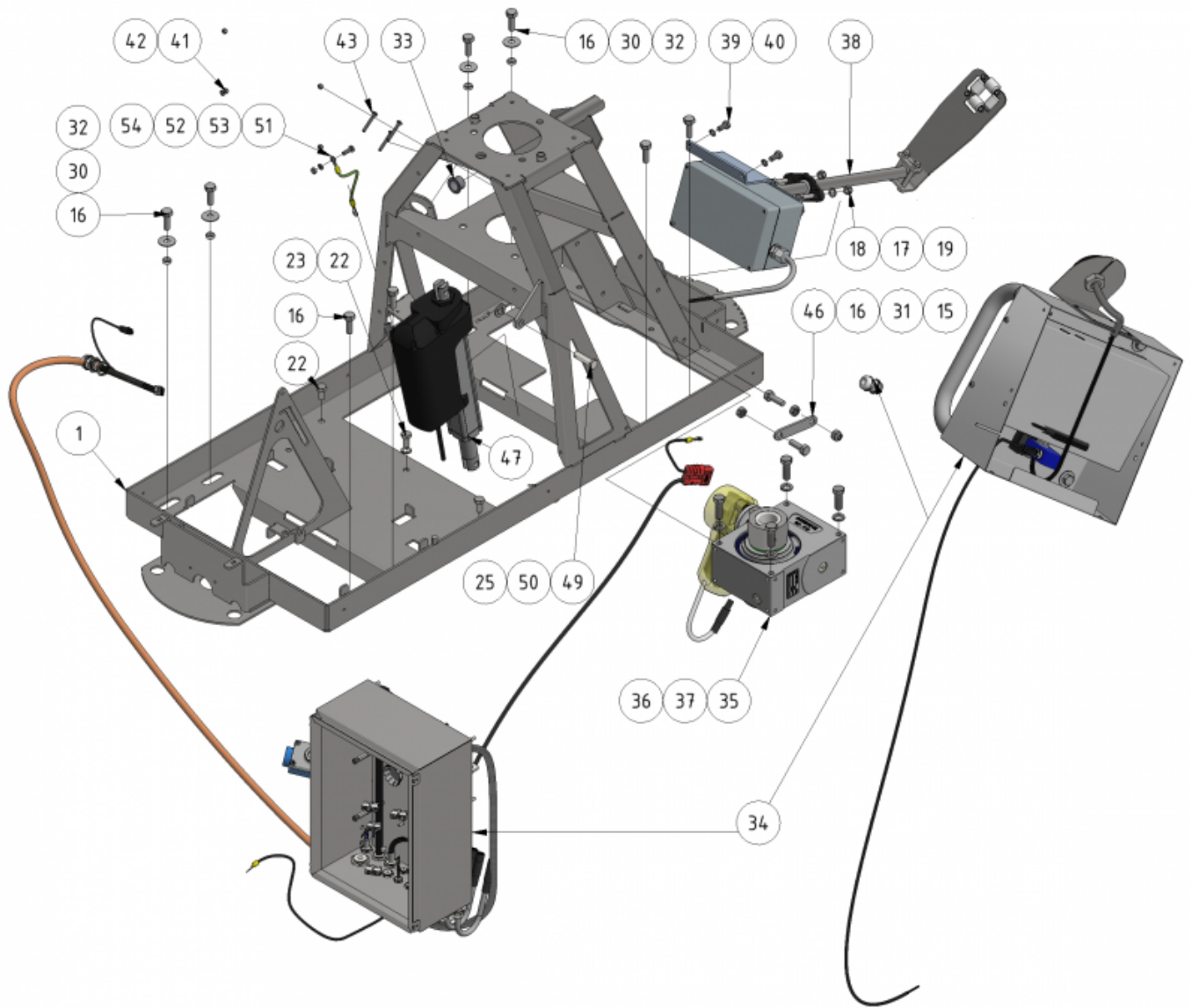








EVO Cleaner assembly 1 - 1109501

Part of [EVO Cleaner assembly 2 - 1109502](#)





| ITEM | DESCRIPTION | PART NUMBER | QTY |
|------|-----------------------------------|-------------|-----|
| 1 | Chassis | 1109201 | 1 |
| 2 | Long rod | 409211 | 1 |
| 3 | Short rear rod | 409212 | 1 |
| 4 | Long front rod | 409213 | 1 |
| 5 | Short front rod | 409215 | 1 |
| 6 | Short rear rod | 409216 | 1 |
| 7 | Rear link | 1109202 | 1 |
| 8 | Front rod | 1109203 | 1 |
| 9 | Rear rod | 1109204 | 1 |
| 10 | Front link | 1109205 | 1 |
| 11 | Lock | 409219 | 1 |
| 12 | Nut M6 Nyloc | 941009 | 1 |
| 13 | Plate with pin | 1101030 | 2 |
| 14 | Plate | 401059 | 2 |
| 15 | Nut M10 | 941025 | 4 |
| 16 | Plate | 159201 | 1 |
| 17 | Electric transport wheel assembly | 1107030M | 1 |

| ITEM | DESCRIPTION | PART NUMBER | QTY |
|------|------------------------|--|-----|
| 18 | Spring washer M10 | 941105 | 3 |
| 19 | Washer M10 | 941022 | 14 |
| 20 | Split pin 3.2 x 25 | 941049 | 16 |
| 21 | Block | 1409214 | 1 |
| 22 | Spring | 909002 | 1 |
| 23 | Screw M6 x 40 | 947074 | 1 |
| 24 | Drive axle assembly |  1109523 | 1 |
| 25 | Nut M10 Nyloc | 941073 | 9 |
| 26 | Front wheel axle |  1107041 | 1 |
| 30 | Washer M10, large | 941043 | 4 |
| 31 | Nut M10 Nyloc | 941073 | 9 |
| 32 | Spacer | 701025 | 4 |
| 33 | Bearing | 909203 | 1 |
| 34 | Junction box assembly |  1109529 | 1 |
| 35 | Gearbox tower assembly |  1109524 | 1 |
| 36 | Screw M12 x 35 | 941037 | 4 |
| 37 | Spring washer M12 | 941036 | 4 |
| 38 | Hose spreader assembly |  1109520 | 1 |
| 39 | M8 x 16 | 941101 | 2 |
| 40 | Spring washer M8 | 941088 | 2 |
| 41 | Nut M5 Nyloc | 941064 | 4 |
| 42 | Washer M5 teeth | 941087 | 1 |
| 43 | Screw M5 x 40 | 941034 | 3 |
| 46 | Short rod | 409224 | 1 |
| 47 | Actuator | 1101312 | 1 |
| 49 | Pin 12 mm | 707019 | 2 |
| 50 | Washer M12 | 941030 | 2 |
| 51 | Ground cable |  901147 | 1 |
| 52 | Nut M6 | 941002 | 1 |
| 53 | Spring washer M6 | 941045 | 1 |
| 54 | Screw M6 x 20 | 941103 | 1 |

From:

<https://wiki.envirologic.se/> - **Envirologic Support Wiki**

Permanent link:

<https://wiki.envirologic.se/doku.php/service:spl:1109501-1?rev=1712132225>

Last update: **2024/04/03 01:17**

