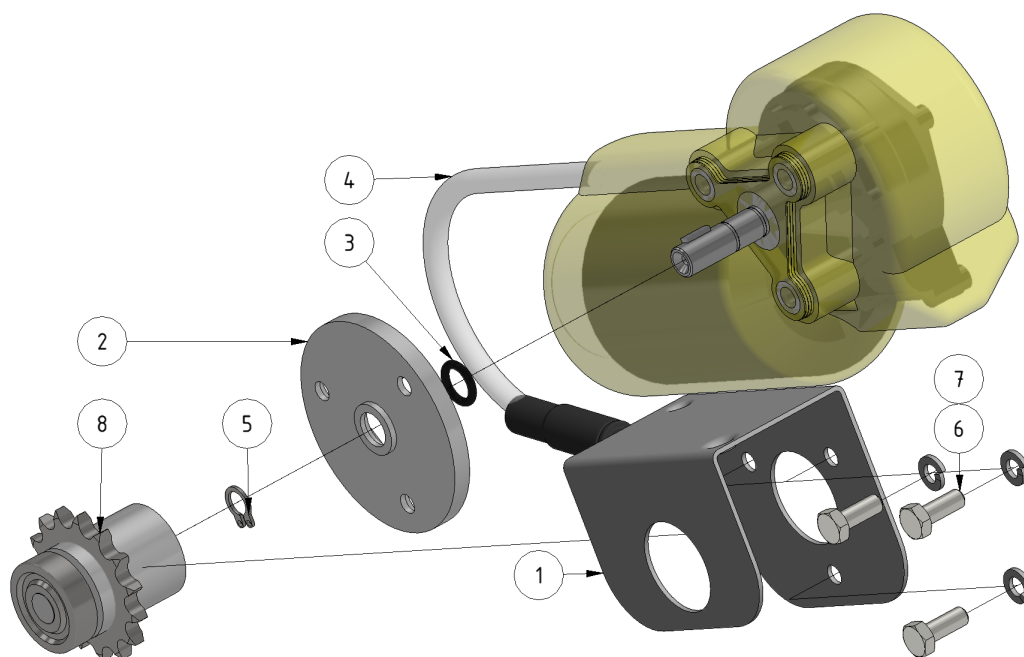



Drive unit

Part of [EVO Cleaner assembly 2 - 1109502](#)



| ITEM | DESCRIPTION | PART NUMBER | QTY |
|------|----------------------|--|-----|
| 1 | Joint motor | 159204 | 1 |
| 2 | Motor sealer | 909701 | 1 |
| 3 | O-ring 10 x 3,5 | 969001 | 1 |
| 4 | Motor 220 rpm, gen.2 |  909241 | 1 |
| 5 | Lock ring SGA 10 | 941041 | 1 |
| 6 | Screw M6 x 16 | 941006 | 3 |
| 7 | Spring Washer M6 | 941045 | 3 |
| 8 | Sprocket 15t | 1101124 | 1 |

From: <https://wiki.envirologic.se/> - **Envirologic Support Wiki**

Permanent link: <https://wiki.envirologic.se/doku.php/service:spl:1109515-1?rev=1601210340>

Last update: **2020/09/27 05:39**

