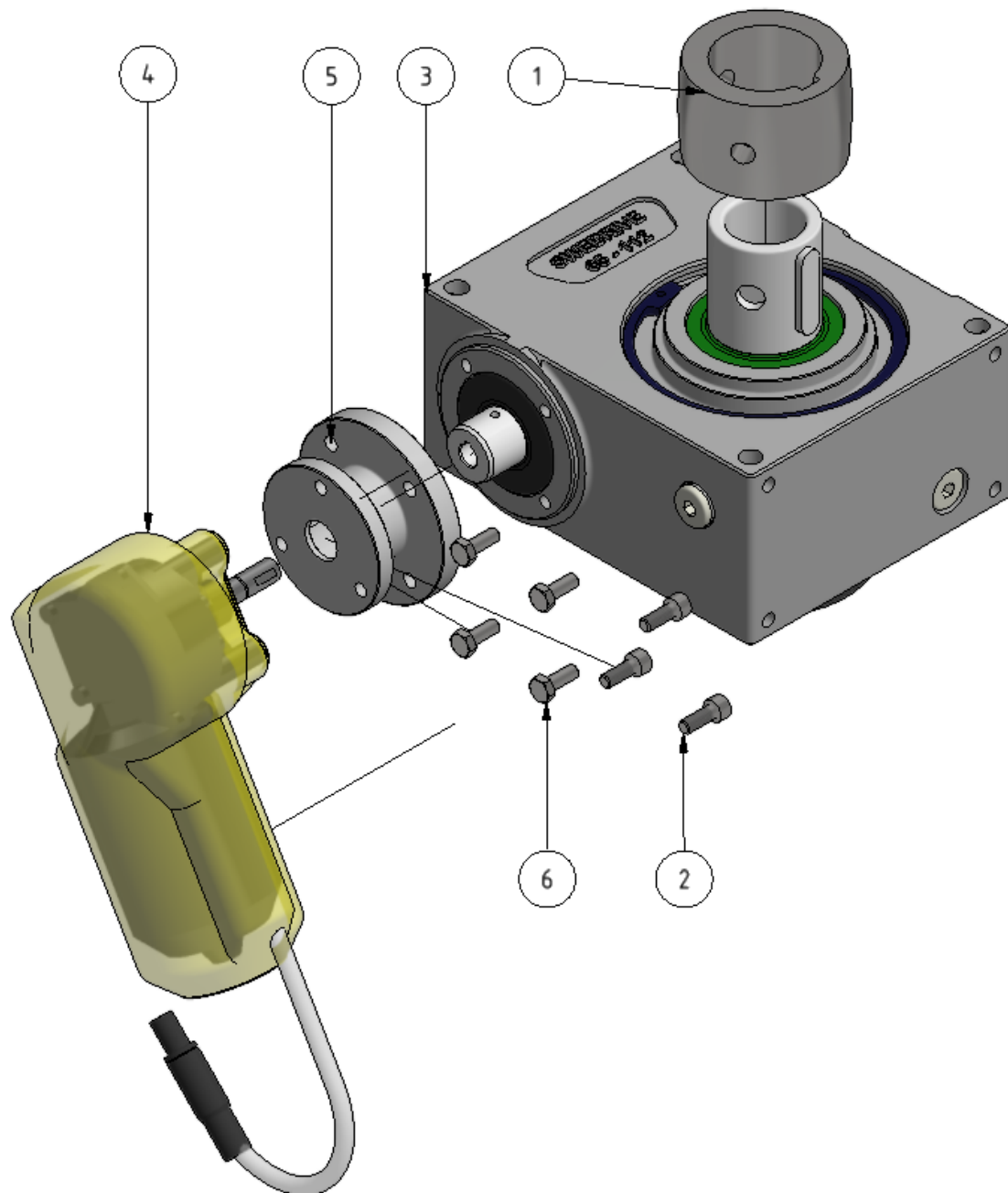




# Gearbox tower assembly

Part of [EVO Cleaner assembly 1 - 1109501](#)



ITEM	DESCRIPTION	PART NUMBER	QTY
1	Adapter	701064	1
2	Insex M6 x 16	941100-1	3
3	Gearbox	 <a href="#">93187481</a>	1
4	Motor 70 rpm, gen. 2	 <a href="#">909240</a>	1
5	Adapter	93187491	1
6	Screw M6 x 16	941006	4

From:  
<https://wiki.envirologic.se/> - **Envirologic Support Wiki**

Permanent link:  
<https://wiki.envirologic.se/doku.php/service:spl:1109524-1?rev=1601213630>

Last update: **2020/09/27 06:33**

