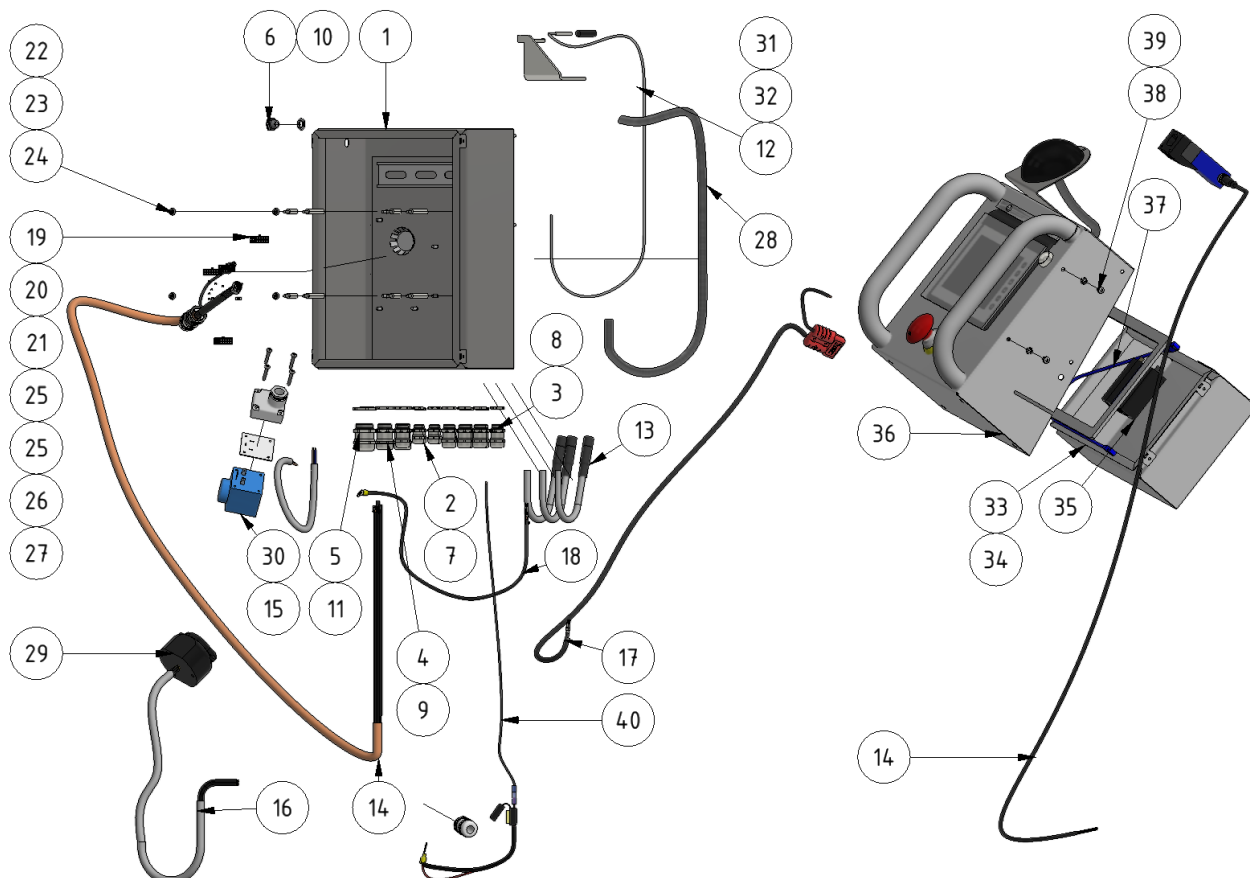






Junction box assembly

Part number: 1109529

Part of [EVO Cleaner assembly 1 - 1109501](#)



ITEM	DESCRIPTION	PART NUMBER	QTY
1	Junction box	1101222	1
2	Cable gland M12	981016	5
3	Cable gland M16	981017	8
4	Cable gland M20	981018	2
5	Cable gland M25	981019	1
6	Pressure balance element	901114	1
7	Nut M12	981013	5
8	Nut M16	981020	8
9	Nut M20	981021	2
10	Nut M12 PVC	981013	1
11	Nut M25	981022	1
12	Tower Magnetic Switch	981023	1
13	Cable M2-M3	901133	3
14	Cable OP Box	989209M	1
15	Cable water valve	981025	1

ITEM	DESCRIPTION	PART NUMBER	QTY
16	Cable trailer connector	909235	1
17	Charging assembly	 909232	1
18	Battery cable	45226M	1
19	Crimp female	901169	6
20	Cable connector 1.5 mm ²	45313	3
21	Connector-protector	907077	1
22	Spacer screw 40 mm	941000	4
23	Spacer screw 20 mm	941001	4
24	Nut M4	941098	4
25	Molex 16	981164	2
26	Molex 14	981165	1
27	Molex 12	989208	1
28	Magnetic switch	981023	1
29	Trailer socket	951007	1
30	Coil, complete	 1101100-1	1
31	Shrink tube 9 mm	45518	1
32	Joint magnet	401091	1
33	OP box	109207	1
34	Gasket OP box	1409236	1
35	Router	989228 GLOBAL	1
36	Panel assembly	 1109516	1
37	Network cable 500	989238	1
38	Screw M5 x 8	941035	4
39	Washer M5 teeth	941087	4
40	Ground cable, with fuse	 1109533	1

From:

<https://wiki.envirologic.se/> - **Envirologic Support Wiki**

Permanent link:

<https://wiki.envirologic.se/doku.php/service:spl:1109529-1?rev=1712133982>Last update: **2024/04/03 01:46**