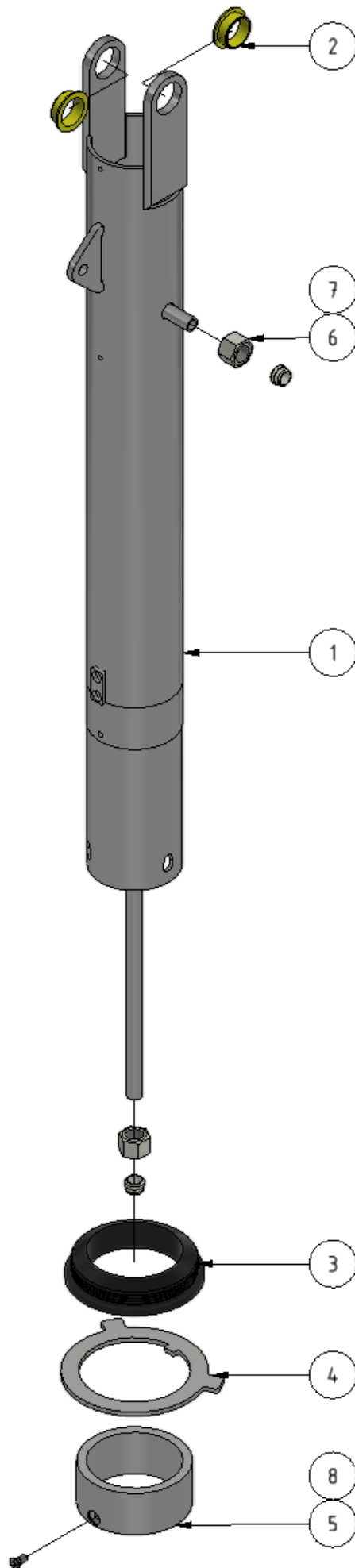


Tower assembly

Part number: 1109530

Part of [EVO Cleaner assembly 2 - 1109502](#)



ITEM	DESCRIPTION	PART NUMBER	QTY
1	Tower	1109218	1
2	Flange bearing	901038	2
3	Sealing	901094	1
4	Stop plate	401060	1
5	Slide ring	701011	1
6	Nut 12L Stainless	961031RF	2
7	Sealing 12-LS Stainless	961032RF	2
8	Screw M6 x 12	944000	1

From:
<https://wiki.envirologic.se/> - **Envirologic Support Wiki**

Permanent link:
<https://wiki.envirologic.se/doku.php/service:spl:1109530-1?rev=1681910005>

Last update: **2023/04/19 06:13**

