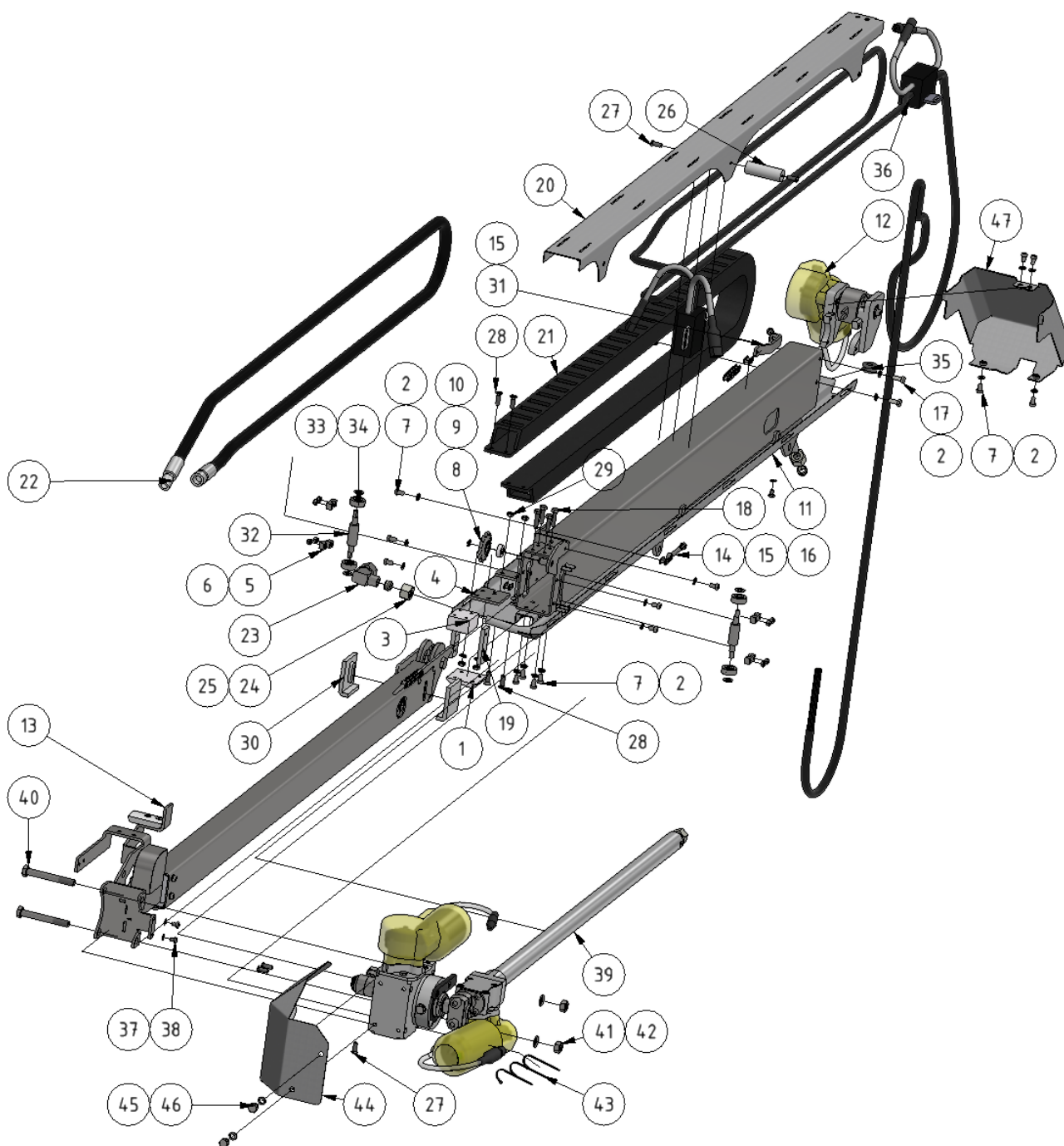







Telescope assembly

Part of EVO Cleaner assembly 3 - 1109503



| ITEM | DESCRIPTION | PART NUMBER | QTY |
|------|--------------------|-------------|-----|
| 1 | Wide sliding plate | 1401003 | 1 |
| 2 | Spring Washer M6 | 941045 | 22 |
| 3 | Puck | 1401007 | 1 |
| 4 | Chain joint | 1101028 | 1 |
| 5 | Cover | 701094 | 4 |
| 6 | Nut M5 Nyloc | 941064 | 8 |

| ITEM | DESCRIPTION | PART NUMBER | QTY |
|------|-------------------------|---|-----|
| 7 | Screw M6 x 10 | 941007 | 14 |
| 8 | Spacer | 1401012 | 1 |
| 9 | Chain-wheel |  1101163 | 1 |
| 10 | Lock-ring SGA 10 | 941041 | 1 |
| 11 | Outer boom | 1109605 | 1 |
| 12 | Drive |  1109706 | 1 |
| 13 | Middle boom |  1109715 | 1 |
| 14 | Clamp screw | 941069 | 1 |
| 15 | Nut M6 nyloc | 941009 | 2 |
| 16 | Chain-lock 3/8 | 901104 | 2 |
| 17 | Screw M6 x 16 | 941006 | 4 |
| 18 | Screw M6 x 25 | 941005 | 4 |
| 19 | Sliding plate, side | 1409702 | 2 |
| 20 | Telescopic plate, upper | 109704 | 1 |
| 21 | Cable-chain | 901115 | 1 |
| 22 | Hose | 969022RF | 1 |
| 23 | Connector 90 | 961026RF | 1 |
| 24 | Nut 12L Stainless | 961031RF | 2 |
| 25 | Sealing 12-LS Stainless | 961032RF | 2 |
| 26 | Chain-slider | 1409708 | 1 |
| 27 | Insex M6 x 16 | 949709 | 5 |
| 28 | M6 x 18 | 941109 | 4 |
| 29 | Nut M6 | 941002 | 4 |
| 30 | Sliding plate, rear | 1409709-2 | 2 |
| 31 | Chain rear |  1109721 | 1 |
| 32 | Axle | 709710-2 | 2 |
| 33 | Washer M8 | 941016 | 4 |
| 34 | Schuttle wheel small | 1109531 | 4 |
| 35 | Cable entry, rubber | 901102-1 | 1 |
| 36 | Top cable-beam | 1109711 | 1 |
| 37 | Washer M5 teeth | 941087 | 3 |
| 38 | Screw M5 x 8 | 941035 | 3 |
| 39 | Gear-box arm |  1109710 | 1 |
| 40 | M10 x 80, bult | 941058-1 | 2 |
| 41 | Nut M10 | 941025 | 2 |
| 42 | Spring-washer M10 | 941105 | 2 |
| 43 | Cable tie 300 x 4,8 | 51526 | 5 |
| 44 | Cover | 109702 | 1 |
| 45 | Spring-washer M8 | 941088 | 2 |
| 46 | Screw M8 x 10 | 941080-1 | 2 |
| 47 | Telescope cover, rear | 159701-3 | 1 |

From:

<https://wiki.envirologic.se/> - **Envirologic Support Wiki**

Permanent link:

<https://wiki.envirologic.se/doku.php/service:spl:1109708-3?rev=1601206901>

Last update: **2020/09/27 04:41**

