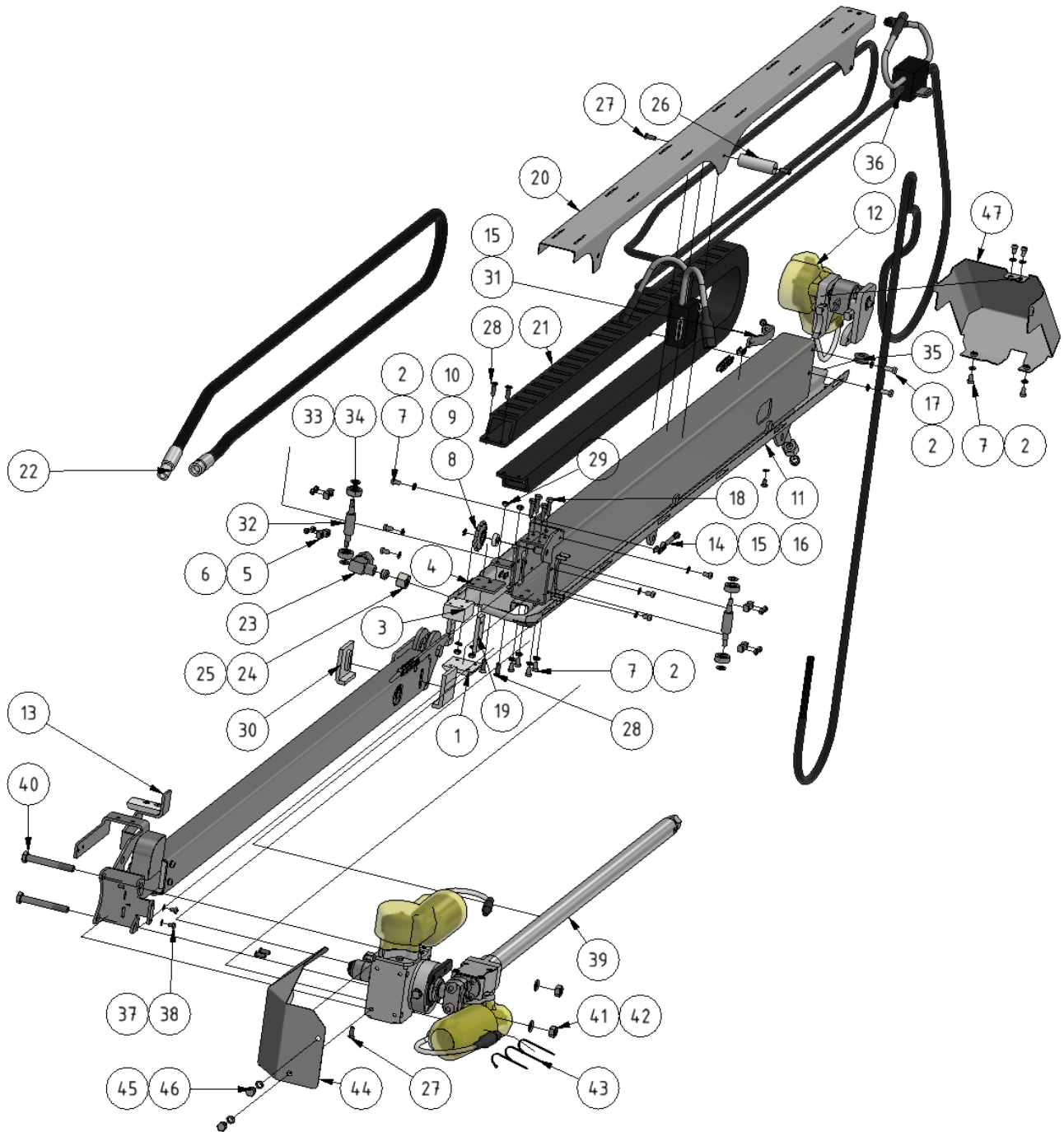







# Telescope assembly

Part of [EVO Cleaner assembly 3 - 1109503](#)



| ITEM | DESCRIPTION        | PART NUMBER | QTY |
|------|--------------------|-------------|-----|
| 1    | Wide sliding plate | 1401003     | 1   |
| 2    | Spring Washer M6   | 941045      | 22  |
| 3    | Puck               | 1401007     | 1   |
| 4    | Chain joint        | 1101028     | 1   |
| 5    | Cover              | 701094      | 4   |
| 6    | Nut M5 Nyloc       | 941064      | 8   |

| ITEM | DESCRIPTION             | PART NUMBER   | QTY |
|------|-------------------------|---|-----|
| 7    | Screw M6 x 10           | 941007  | 14  |
| 8    | Spacer                  | 1401012   | 1   |
| 9    | Chain-wheel             |  1101163   | 1   |
| 10   | Lock-ring SGA 10        | 941041  | 1   |
| 11   | Outer boom              | 1109605   | 1   |
| 12   | Drive                   |  1109706   | 1   |
| 13   | Middle boom             |  1109715   | 1   |
| 14   | Clamp screw             | 941069  | 1   |
| 15   | Nut M6 nyloc            | 941009  | 2   |
| 16   | Chain-lock 3/8          | 901104  | 2   |
| 17   | Screw M6 x 16           | 941006  | 4   |
| 18   | Screw M6 x 25           | 941005  | 4   |
| 19   | Sliding plate, side     | 1409702   | 2   |
| 20   | Telescopic plate, upper | 109704  | 1   |
| 21   | Cable-chain             | 901115  | 1   |
| 22   | Hose                    | 969022RF  | 1   |
| 23   | Connector 90            | 961026RF  | 1   |
| 24   | Nut 12L Stainless       | 961031RF  | 2   |
| 25   | Sealing 12-LS Stainless | 961032RF  | 2   |
| 26   | Chain-slider            | 1409708   | 1   |
| 27   | Insex M6 x 16           | 949709  | 5   |
| 28   | M6 x 18                 | 941109  | 4   |
| 29   | Nut M6                  | 941002  | 4   |
| 30   | Sliding plate, rear     | 1409709-2   | 2   |
| 31   | Chain rear              |  1109721 | 1   |
| 32   | Axle                    | 709710-2  | 2   |
| 33   | Washer M8               | 941016  | 4   |
| 34   | Schuttle wheel small    | 1109531   | 4   |
| 35   | Cable entry, rubber     | 901102-1  | 1   |
| 36   | Top cable-beam          | 1109711   | 1   |
| 37   | Washer M5 teeth         | 941087  | 3   |
| 38   | Screw M5 x 8            | 941035  | 3   |
| 39   | Arm assembly            |  1109710 | 1   |
| 40   | M10 x 80, bult          | 941058-1  | 2   |
| 41   | Nut M10                 | 941025  | 2   |
| 42   | Spring-washer M10       | 941105  | 2   |
| 43   | Cable tie 300 x 4,8     | 51526   | 5   |
| 44   | Cover                   | 109702  | 1   |
| 45   | Spring-washer M8        | 941088  | 2   |
| 46   | Screw M8 x 10           | 941080-1  | 2   |
| 47   | Telescope cover, rear   | 159701-3  | 1   |

From:

<https://wiki.envirologic.se/> - **Envirologic Support Wiki**

Permanent link:

<https://wiki.envirologic.se/doku.php/service:spl:1109708-3?rev=1601208142>

Last update: **2020/09/27 05:02**

