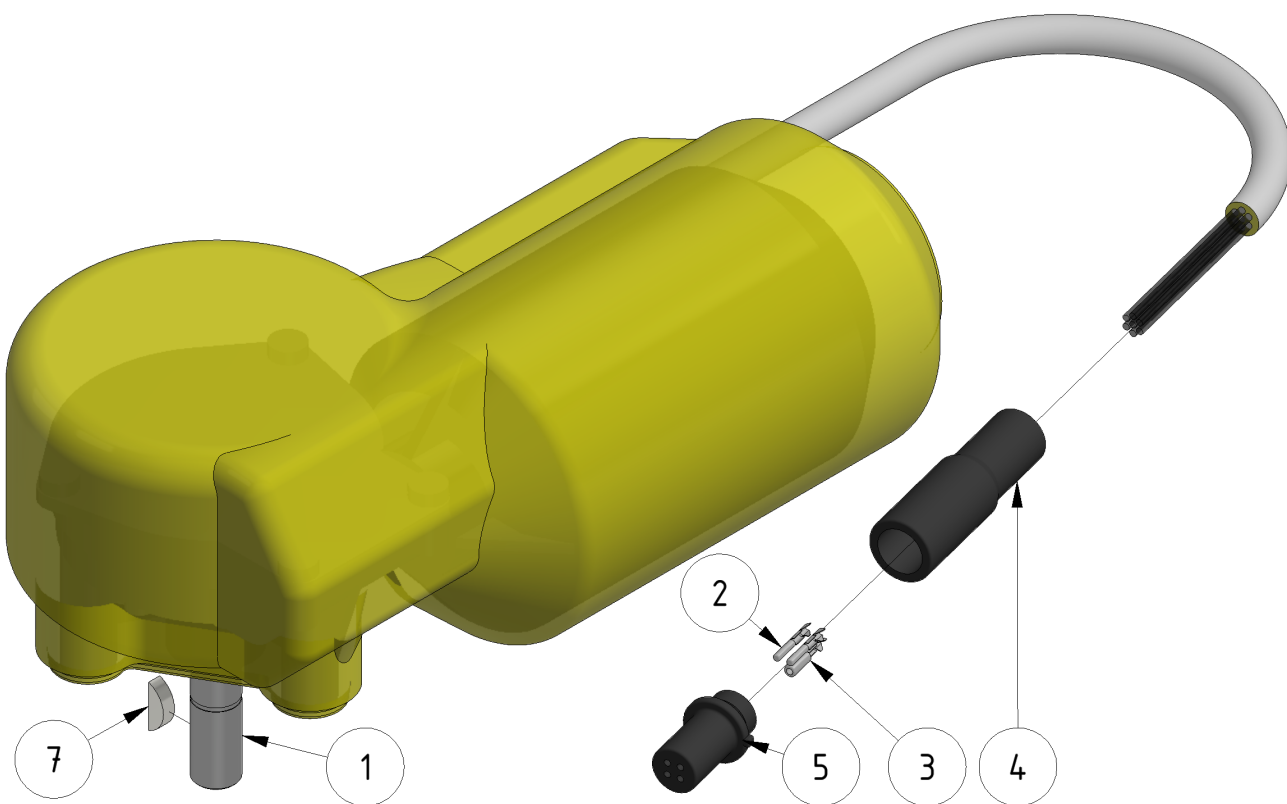


Motor 70 rpm, gen. 2

Part of [Gearbox tower assembly](#), [Drive unit telescope](#) and [Arm assembly](#)



ITEM	DESCRIPTION	PART NUMBER	QTY
1	Motor-cover		1
2	Crimp pin	901171	2
3	Crimp sleeve	901170	2
4	Boot 4 pin	904013	1
5	Male 4 pin	904009	1

From: <https://wiki.envirologic.se/> - **Envirologic Support Wiki**

Permanent link: <https://wiki.envirologic.se/doku.php/service:spl:909240-1?rev=1601213870>

Last update: **2020/09/27 06:37**

