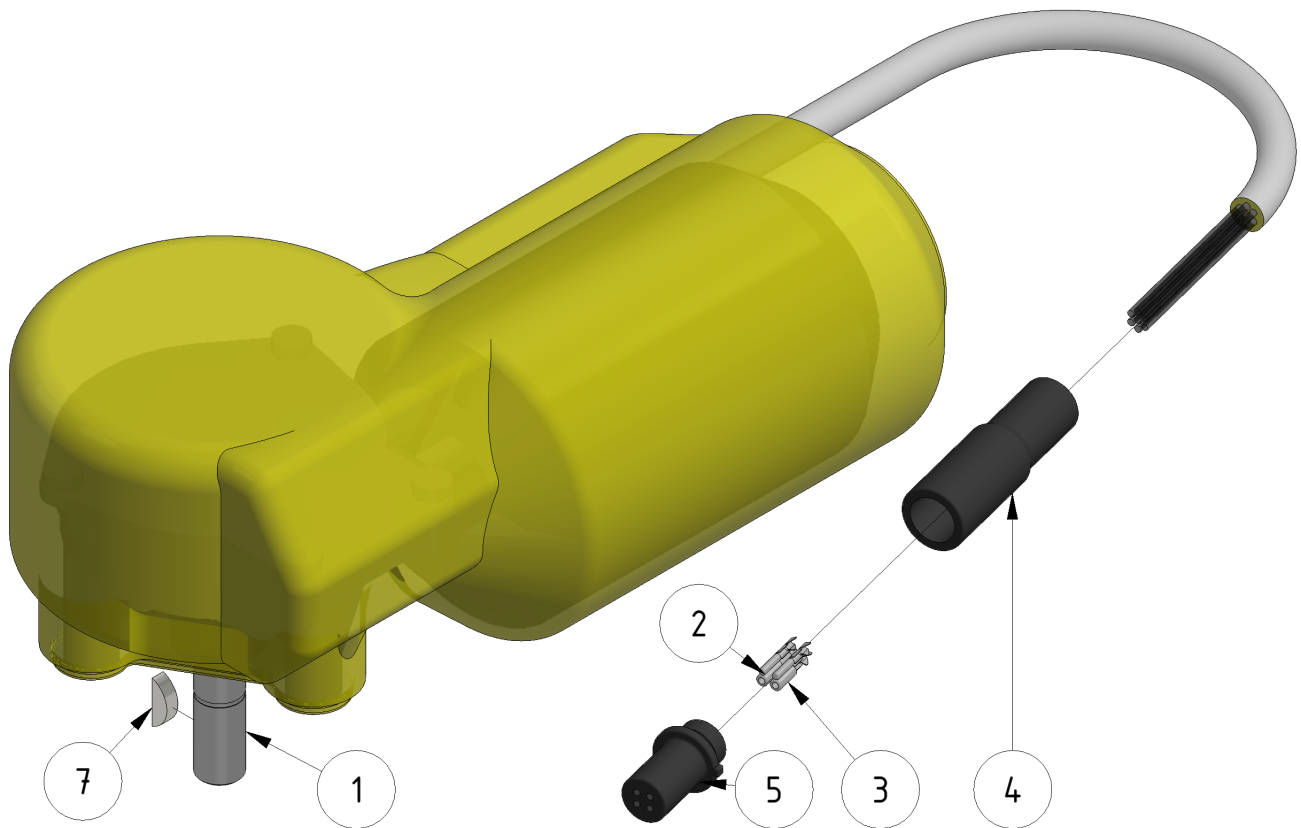


Motor 220 rpm, gen.2

Part of [Drive axle assembly](#)



ITEM	DESCRIPTION	PART NUMBER	QTY
1	Motor 220 RPM		1
2	Crimp pin	901171	2
3	Crimp sleeve	901170	2
4	Boot 4 pin	904013	1
5	Male 4 pin	904009	1

From: <https://wiki.envirologic.se/> - **Envirologic Support Wiki**

Permanent link: <https://wiki.envirologic.se/doku.php/service:spl:909241-1?rev=1601210192>

Last update: **2020/09/27 05:36**

