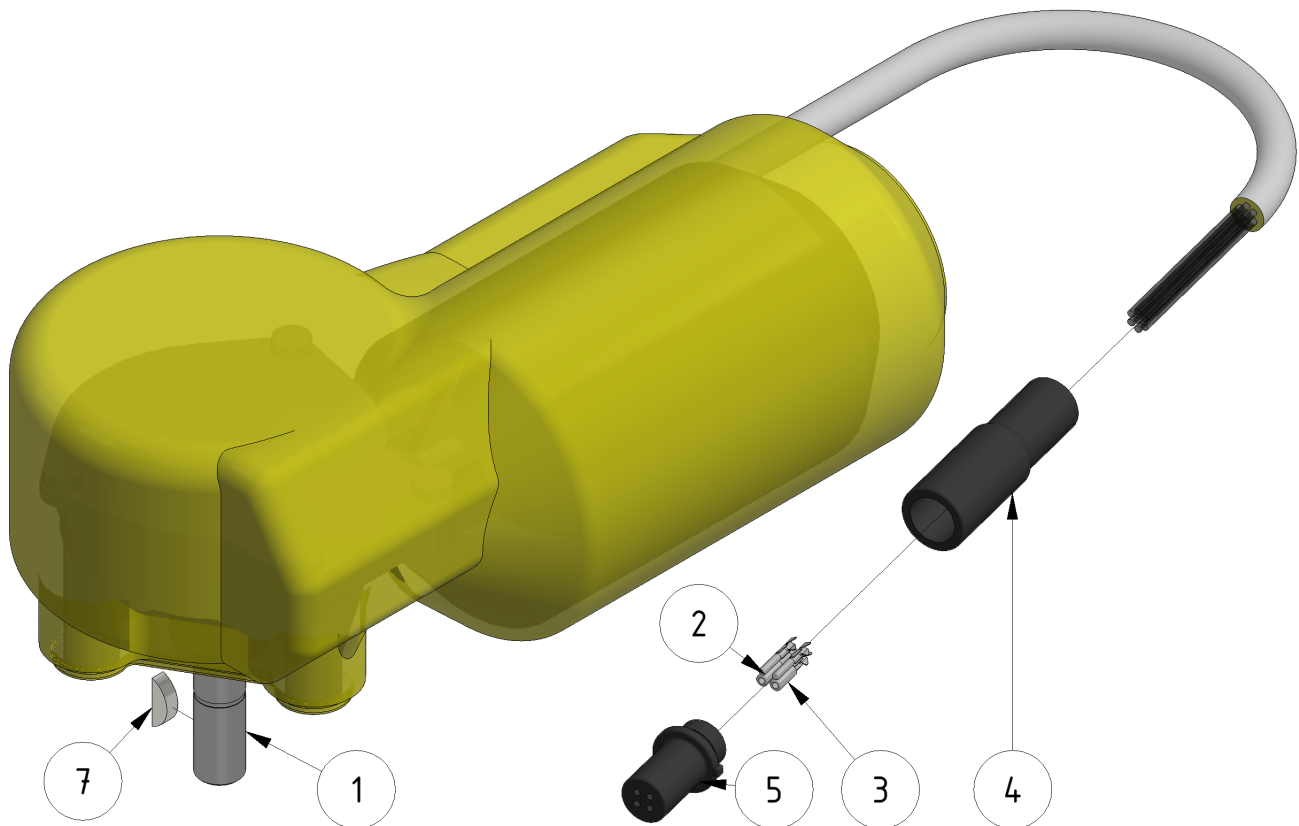


Motor 220 rpm, gen. 2

Part of [Hose reel drive unit](#) and [Drive axle assembly](#)



| ITEM | DESCRIPTION | PART NUMBER | QTY |
|------|---------------|-------------|-----|
| 1 | Motor 220 RPM | | 1 |
| 2 | Crimp pin | 901171 | 2 |
| 3 | Crimp sleeve | 901170 | 2 |
| 4 | Boot 4 pin | 904013 | 1 |
| 5 | Male 4 pin | 904009 | 1 |

From:
<https://wiki.envirologic.se/> - **Envirologic Support Wiki**

Permanent link:
<https://wiki.envirologic.se/doku.php/service:spl:909241-1?rev=1601223247>

Last update: **2020/09/27 09:14**

