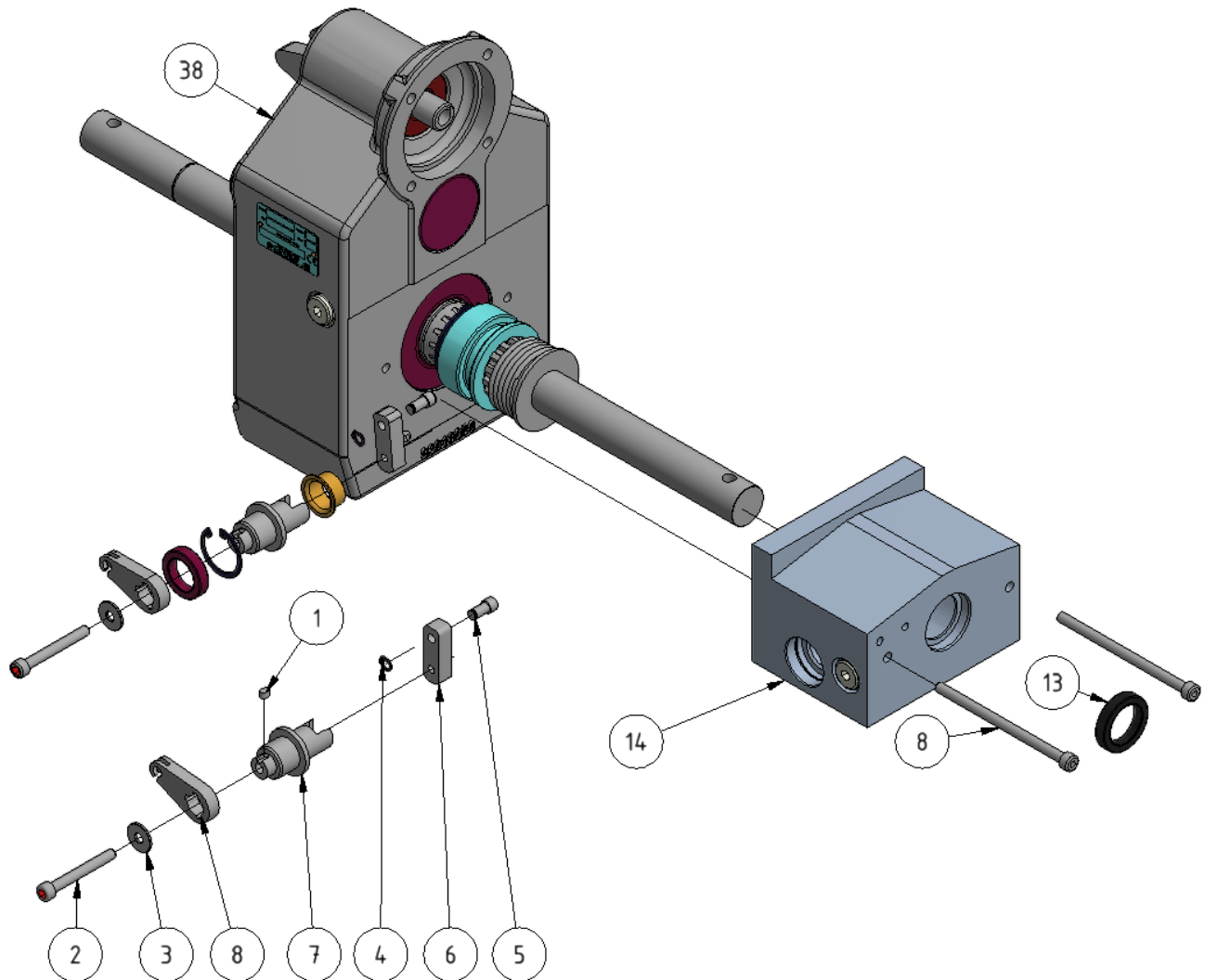


Gearbox

Part of [Drive axle assembly](#)



ITEM	DESCRIPTION	PART NUMBER	QTY
1	Key	64044060	1
2	Screw M6 x 50	63060501R	1
3	Washer	63061816R	1
4	Lock ring SgA6	64000065	1
5	Pin	93187201	1
6	Inner arm	93187191	1
7	Axle	93187181	1
8	Outer arm	93187211	1

From:

<https://wiki.envirologic.se/> - **Envirologic Support Wiki**

Permanent link:

<https://wiki.envirologic.se/doku.php/service:spl:93187752-1?rev=1601210475>

Last update: **2020/09/27 05:41**

