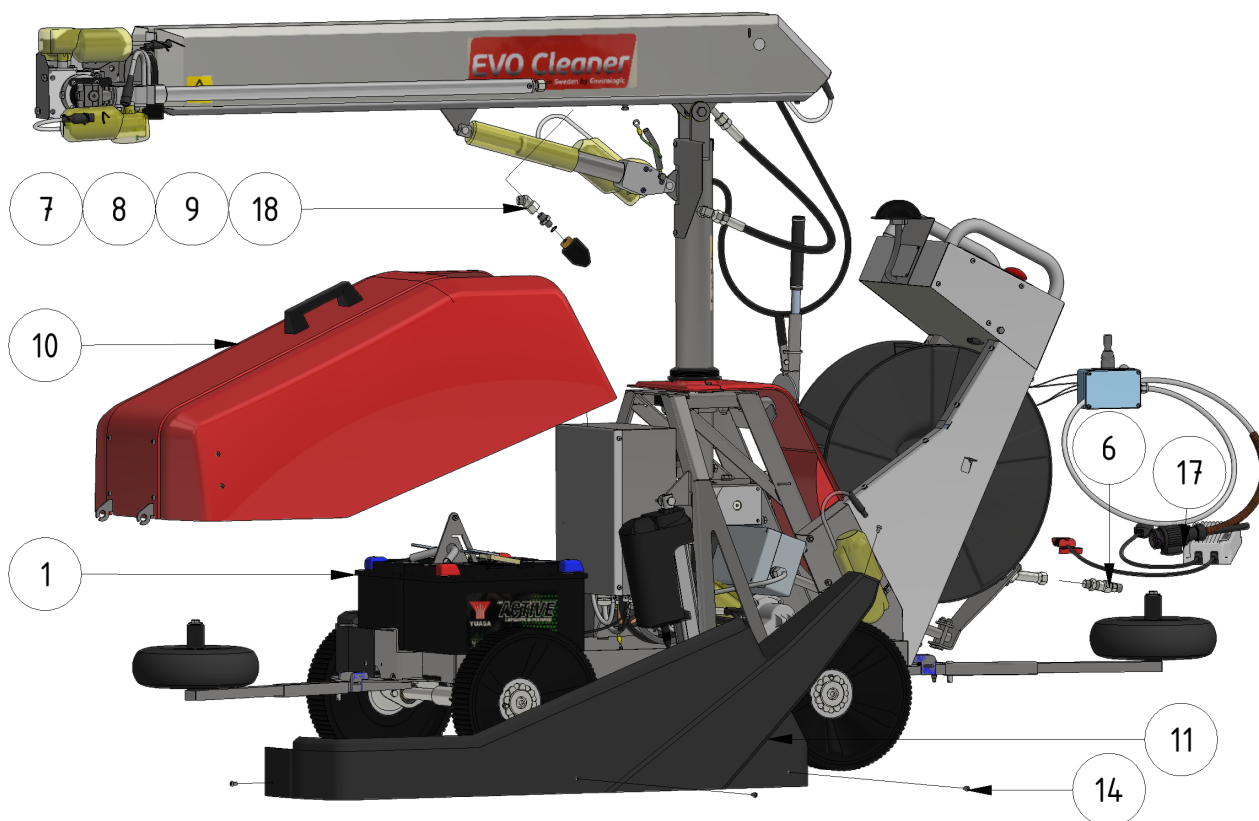
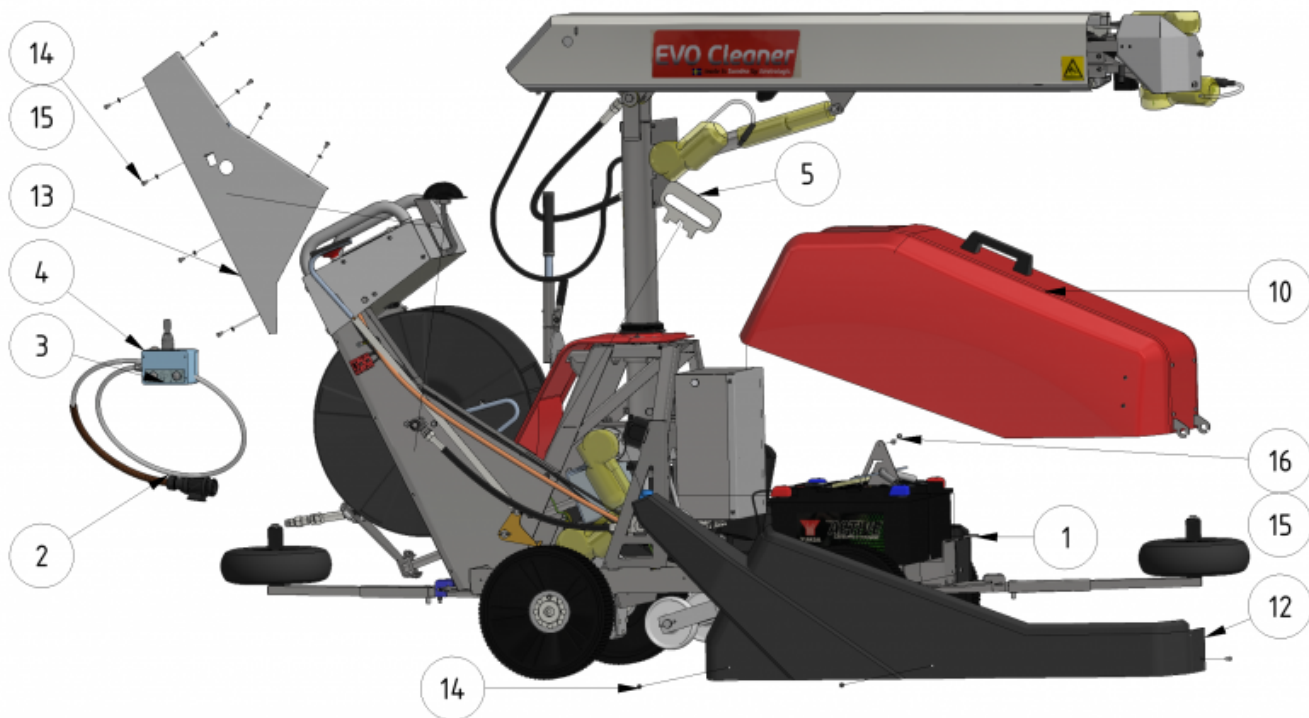


# Exploded views

Here you can find the exploded views of the robot, if you need a spare part for the robot just press on the links below and make your way to find what you need

## EVO Cleaner






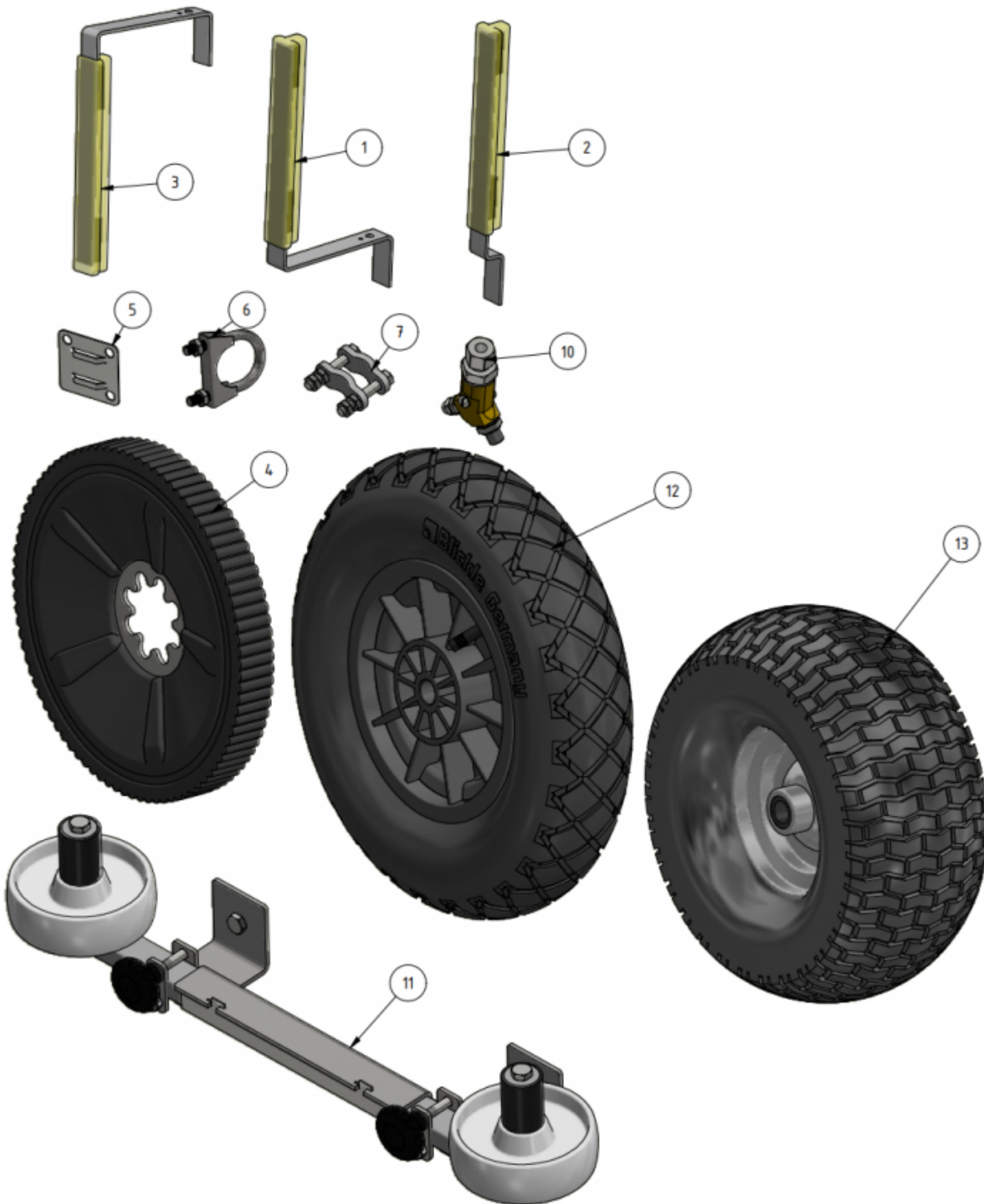
**Shortcuts**


- [EVO Cleaner 1st level main assembly - 1109501](#)
- [EVO Cleaner 2nd level main assembly - 1109502](#)
- [EVO Cleaner 3rd level main assembly - 1109503](#)
- [Gearbox tower assembly - 1109524](#)
- [Drive axle assembly - 1109523](#)
- [Telescope assembly - 1109708](#)
- [Arm assembly - 1109710](#)
- [Junction box assembly - 1109529](#)
- [Hose reel drive unit - 1109515](#)

| ITEM | DESCRIPTION                | PART NUMBER             | QTY |
|------|----------------------------|-------------------------|-----|
| 1    | EVO Cleaner assembly 4     | <a href="#">1109500</a> | 1   |
| 2    | Joystick                   | <a href="#">10020</a>   | 1   |
| 3, 4 | Sign joystick              | 901144-05               | 1   |
| 5    | Wheel tool                 | 407033                  | 1   |
| 6    | Water strainer/filter      | <a href="#">1105006</a> | 1   |
| 7    | Rotary nozzle              | <a href="#">901112</a>  | 1   |
| 8    | Tredo washer 1/4 stainless | 961041RF                | 1   |
| 9    | Adapter 12 - 1/4"          | 961021RF                | 1   |
| 10   | Hood                       | <a href="#">1109514</a> | 1   |
| 11   | Left cover                 | 1409234                 | 1   |
| 12   | Right cover                | 1409235                 | 1   |
| 13   | Right lid                  | 1109217                 | 1   |
| 14   | Screw M6 x 10              | 941007                  | 16  |

| ITEM | DESCRIPTION          | PART NUMBER   | QTY |
|------|----------------------|---|-----|
| 15   | Spring Washer M6     | 941045  | 9   |
| 16   | Nut M6               | 941002  | 1   |
| 17   | Charger 24/12 230V   |  10051 compl | 1   |
| 18   | Angle 135° stainless | 961045RF  | 1   |

## Accessories



| ITEM | DESCRIPTION  | PART NUMBER             |
|------|--|-------------------------|
| 1    | Marker, S shape  | 32030                   |
| 2    | Marker, S shape, short   | 32026                   |
| 3    | Marker, U shape  | 32040                   |
| 4    | Flex-wheel 35 mm   | 977031                  |
| 5    | Marker bracket   | 30000                   |
| 6    | Tube-clamp 35 mm   | 30010                   |
| 7    | Clamp  | 30021                   |
| 10   | Double nozzle / Shift-head valve  | <a href="#">1101201</a> |
| 11   | Corner wheels  | 1109551                 |
| 12   | Guidance wheel, 400 mm   | 979201                  |
| 13   | Guidance wheel, high   | 1101126                 |
|      | AGM battery  | 909244                  |

From: <https://wiki.envirologic.se/> - **Envirologic Support Wiki**

Permanent link: [https://wiki.envirologic.se/doku.php/service:spl:spare\\_parts\\_list\\_rev2?rev=1712133356](https://wiki.envirologic.se/doku.php/service:spl:spare_parts_list_rev2?rev=1712133356)

Last update: **2024/04/03 01:35**

