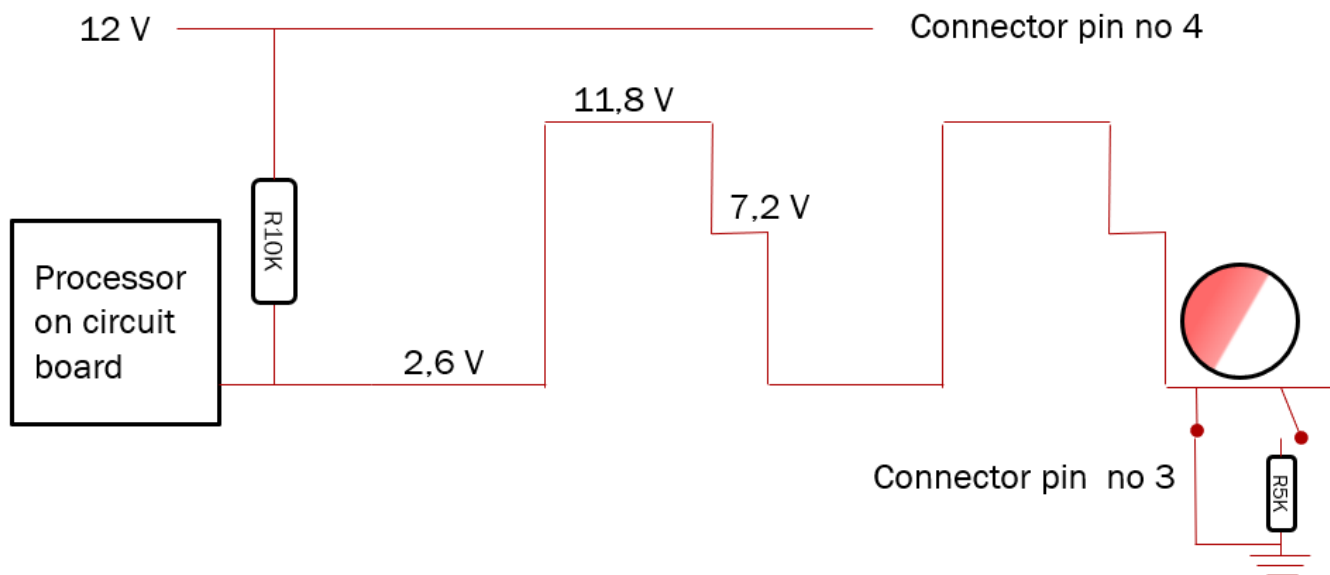


# Pulse sensors

The motor positions are determined with Hall effect sensors. Two sensors per motor are used to produce a two channel switching signal holding information about both position change and direction of that change. See figure below for a schematic representation of the signal. The sensors are powered with 12 V.



From: <https://wiki.envirologic.se/> - **Envirologic Support Wiki**

Permanent link: [https://wiki.envirologic.se/doku.php/parts:pulse\\_sensors](https://wiki.envirologic.se/doku.php/parts:pulse_sensors)

Last update: **2020/09/27 03:43**

