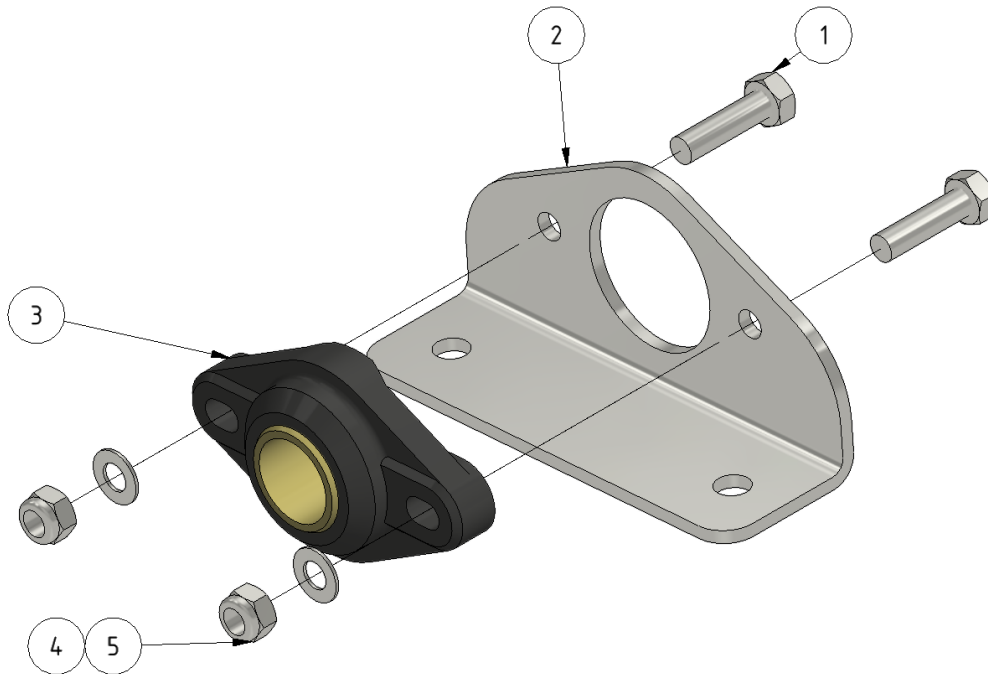


Wheel bearing assembly

Part number: 1101199

Part of [Front wheel axle](#) and [Drive axle assembly](#)



| ITEM | DESCRIPTION | PART NUMBER | QTY |
|------|-----------------|-------------|-----|
| 1 | Screw M8 x 35 | 941021 | 2 |
| 2 | Bearing holder | 401093 | 1 |
| 3 | Bearing EFOM 25 | 901037 | 1 |
| 4 | Washer M8 | 941016 | 2 |
| 5 | Nut M8 Nyloc | 941020 | 2 |

From:

<https://wiki.envirologic.se/> - **Envirologic Support Wiki**

Permanent link:

<https://wiki.envirologic.se/doku.php/service:spl:1101199-1?rev=1601282576>

Last update: **2020/09/28 01:42**

